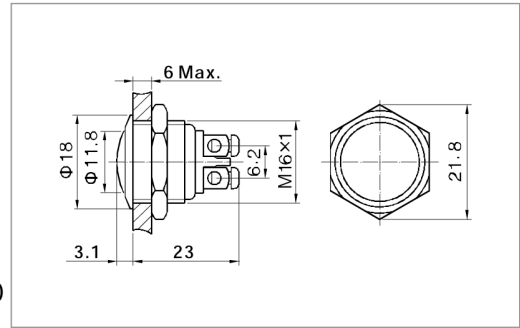


Anti-vandal push button



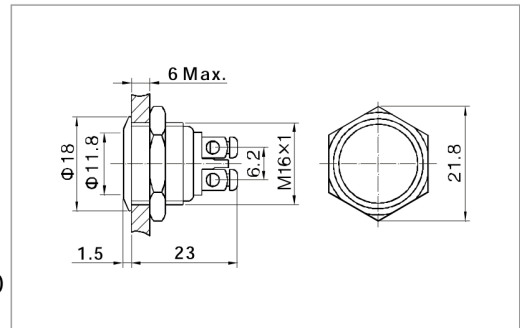
- ⊙ Φ 16mm Diameter
- ⊙ Switch Rating: 2A/36VDC
- ⊙ Contact Configuration: 1NO
(1NC can be made to order)
- ⊙ Operation Type: Momentary
- ⊙ The Front Shape: Domed
- ⊙ The Crust Material(⊙):
Stainless steel(S)/Nickel plated Brass(N)
- ⊙ IP Degree: IP65,IK08



Anti-vandal push button



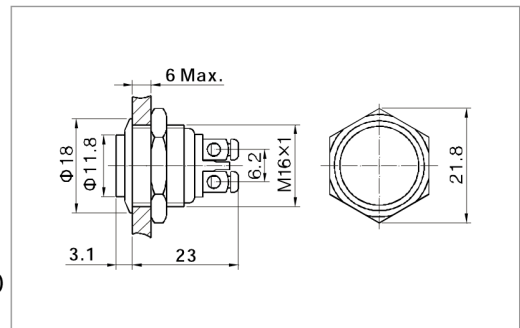
- ⊙ Φ 16mm Diameter
- ⊙ Switch Rating: 2A/36VDC
- ⊙ Contact Configuration: 1NO
(1NC can be made to order)
- ⊙ Operation Type: Momentary
- ⊙ The Front Shape: Flat Round
- ⊙ The Crust Material(⊙):
Stainless steel(S)/Nickel plated Brass(N)
- ⊙ IP Degree: IP65,IK08



Anti-vandal push button



- ⊙ Φ 16mm Diameter
- ⊙ Switch Rating: 2A/36VDC
- ⊙ Contact Configuration: 1NO
(1NC can be made to order)
- ⊙ Operation Type: Momentary
- ⊙ The Front Shape: High Round
- ⊙ The Crust Material(⊙):
Stainless steel(S)/Nickel plated Brass(N)
- ⊙ IP Degree: IP65,IK08

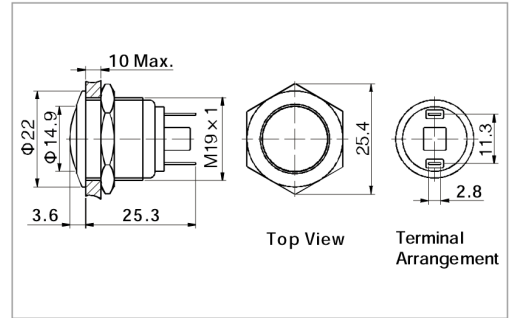


	Domed	Flat Round	High Round
The Front Shape	Domed	Flat Round	High Round
Terminal Type	Screw Terminal	Screw Terminal	Screw Terminal
Switching	X(double-break slow-motion contact)	X(double-break slow-motion contact)	X(double-break slow-motion contact)
Max.Switch Rating	2A/36VDC	2A/36VDC	2A/36VDC
Contact Resistance	≤50mΩ	≤50mΩ	≤50mΩ
Insulation Resistance	≥1000MΩ	≥1000MΩ	≥1000MΩ
Dielectric Intensity	2000VAC	2000VAC	2000VAC
Operating Temp	-20℃ ~ +55℃	-20℃ ~ +55℃	-20℃ ~ +55℃
Mechanical Life	1,000,000 cycles	1,000,000 cycles	1,000,000 cycles
Electrical Life	200,000 cycles	200,000 cycles	200,000 cycles
Panel Thickness	1 ~ 6mm	1 ~ 6mm	1 ~ 6mm
Torque	5 ~ 14Nm	5 ~ 14Nm	5 ~ 14Nm
Operation Pressure	About 4N	About 4N	About 4N
Operation Travel	About 1.5mm	About 1.5mm	About 1.5mm
IP Degree	IP65,IK08	IP65,IK08	IP65,IK08
Material	Contact	Sliver Alloy	Sliver Alloy
	Button	Stainless steel/Nickel plated Brass	Stainless steel/Nickel plated Brass
	Body	Stainless steel/Nickel plated Brass	Stainless steel/Nickel plated Brass
	Base	PBT	PBT
	RoHS	Made to order	Made to order

Anti-vandal push button



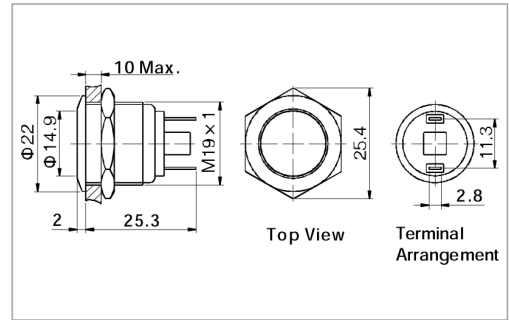
- ⊙ Φ 19mm diameter
- ⊙ Switch Rating: 2A/36VDC
- ⊙ Contact Configuration: 1NO
- ⊙ Operation Type: Momentary
- ⊙ The Front Shape: Domed
- ⊙ The crust material: Stainless Steel/ Brass(Nickel plated, Gold plated)
- ⊙ IP Degree: Ip65



Anti-vandal push button



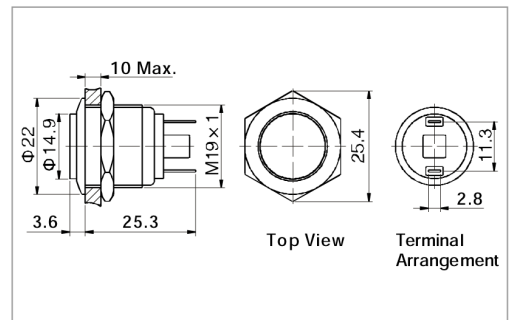
- ⊙ Φ 19mm diameter
- ⊙ Switch Rating: 2A/36VDC
- ⊙ Contact Configuration: 1NO
- ⊙ Operation Type: Momentary
- ⊙ The Front Shape: Flat Round
- ⊙ The crust material: Stainless Steel/ Brass(Nickel plated, Gold plated)
- ⊙ IP Degree: IP65



Anti-vandal push button



- ⊙ Φ 19mm diameter
- ⊙ Switch Rating: 2A/36VDC
- ⊙ Contact Configuration: 1NO
- ⊙ Operation Type: Momentary
- ⊙ The Front Shape: High Round
- ⊙ The crust material: Stainless Steel/ Brass(Nickel plated, Gold plated)
- ⊙ IP Degree: IP65

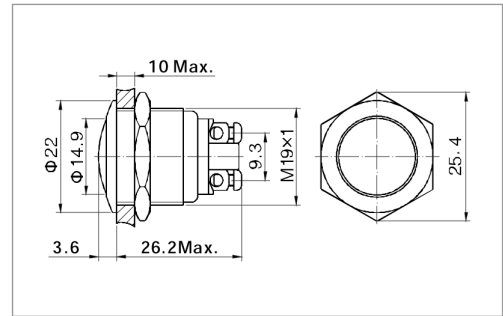


The Front Shape		Domed	Flat Round	High Round
Terminal Type		Pin Terminal(2×0.5mm)	Pin Terminal(2×0.5mm)	Pin Terminal(2×0.5mm)
Switching		No.1	No.1	No.1
Max.Switch Rating		2A/36VDC	2A/36VDC	2A/36VDC
Contact Resistance		≤ 50mΩ	≤ 50mΩ	≤ 50mΩ
Insulation Resistance		≥ 1000MΩ	≥ 1000MΩ	≥ 1000MΩ
Dielectric Intensity		2000VAC	2000VAC	2000VAC
Operating Temp		-20℃ ~ +55℃	-20℃ ~ +55℃	- 20℃ ~ + 55℃
Mechanical life		1,000,000cycles	1,000,000cycles	1,000,000cycles
Electrical life		200,000cycles	200,000cycles	200,000cycles
Panel Thickness		1 ~ 10mm	1 ~ 10mm	1 ~ 10mm
Torque		5 ~ 14Nm	5 ~ 14Nm	5 ~ 14Nm
Operation Pressure		About 4N	About 4N	About 4N
Operation Distance		About 1.8mm	About 1.8mm	About 1.8mm
IP Degree		IP65	IP65	IP65
Material	Contact	Silver Alloy	Silver Alloy	Silver Alloy
	Button	Stainless Steel/Brass(Nickel plated, Gold plated)	Stainless Steel/Brass(Nickel plated, Gold plated)	Stainless Steel/Brass(Nickel plated, Gold plated)
	Body	Stainless Steel/Brass(Nickel plated, Gold plated)	Stainless Steel/Brass(Nickel plated, Gold plated)	Stainless Steel/Brass(Nickel plated, Gold plated)
	Base	PBT	PBT	PBT
	RoHS	Made to order	Made to order	Made to order

Anti-vandal push button



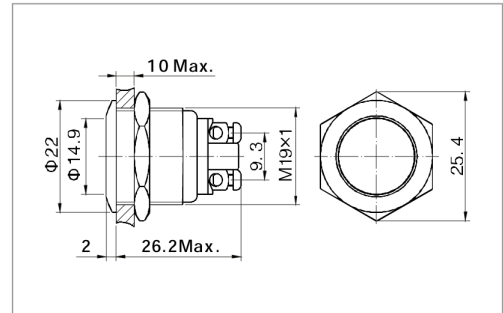
- ⊙ Φ 19mm diameter
- ⊙ Switch Rating: 2A/36VDC
- ⊙ Contact Configuration: 1NO (1NC Made to or order)
- ⊙ Operation Type: Momentary
- ⊙ The Front Shape: Domed
- ⊙ The crust material: Stainless Steel/ Brass(Nickel plated, Gold plated)
- ⊙ IP Degree: Ip65



Anti-vandal push button



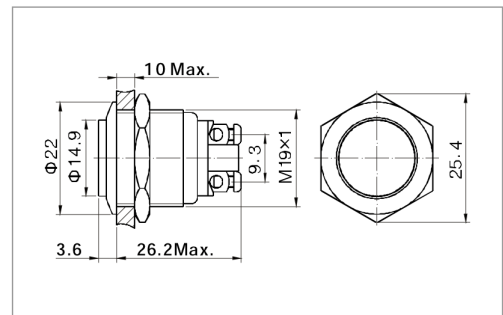
- ⊙ Φ 19mm diameter
- ⊙ Switch Rating: 2A/36VDC
- ⊙ Contact Configuration: 1NO (1NC Made to or order)
- ⊙ Operation Type: Momentary
- ⊙ The Front Shape: Flat Round
- ⊙ The crust material: Stainless Steel/ Brass(Nickel plated, Gold plated)
- ⊙ IP Degree: Ip65



Anti-vandal push button



- ⊙ Φ 19mm diameter
- ⊙ Switch Rating: 2A/36VDC
- ⊙ Contact Configuration: 1NO (1NC Made to or order)
- ⊙ Operation Type: Momentary
- ⊙ The Front Shape: High Round
- ⊙ The crust material: Stainless Steel/ Brass(Nickel plated, Gold plated)
- ⊙ IP Degree: Ip65

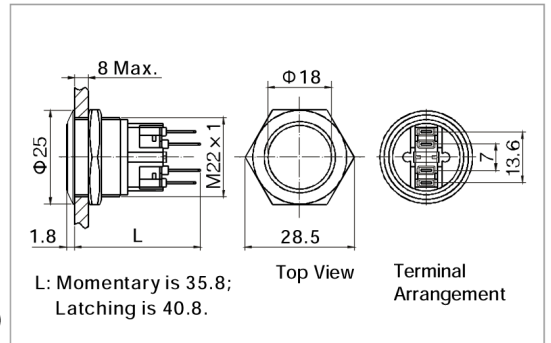


The Front Shape		Domed	Flat Round	High Round
Terminal Type		Screw Terminals	Screw Terminals	Screw Terminals
Switching		No.1	No.1	No.1
Max.Switch Rating		2A/36VDC	2A/36VDC	2A/36VDC
Contact Resistance		≤50mΩ	≤50mΩ	≤50mΩ
Insulation Resistance		≥1000MΩ	≥1000MΩ	≥1000MΩ
Dielectric Intensity		2000VAC	2000VAC	2000VAC
Operating Temp		-20°C ~ +55°C	-20°C ~ +55°C	-20°C ~ +55°C
Mechanical life		1,000,000cycles	1,000,000cycles	1,000,000cycles
Electrical life		200,000cycles	200,000cycles	200,000cycles
Panel Thickness		1 ~ 10mm	1 ~ 10mm	1 ~ 10mm
Torque		5 ~ 14Nm	5 ~ 14Nm	5 ~ 14Nm
Operation Pressure		About 4N	About 4N	About 4N
Operation Distance		About 1.8mm	About 1.8mm	About 1.8mm
IP Degree		IP65	IP65	IP65
Material	Contact	Silver Alloy	Silver Alloy	Silver Alloy
	Button	Stainless Steel/Brass(Nickel plated, Gold plated)	Stainless Steel/Brass(Nickel plated, Gold plated)	Stainless Steel/Brass(Nickel plated, Gold plated)
	Body	Stainless Steel/Brass(Nickel plated, Gold plated)	Stainless Steel/Brass(Nickel plated, Gold plated)	Stainless Steel/Brass(Nickel plated, Gold plated)
	Base	PBT	PBT	PBT
	RoHS	Made to order	Made to order	Made to order

Anti-vandal push button



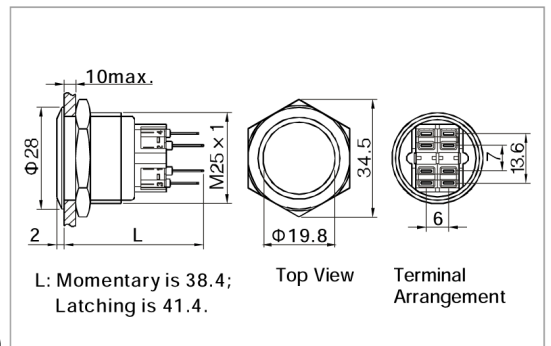
- ⊙ Φ 22mm Diameter
- ⊙ Switch Rating: Ith:5A, Ui:250V
- ⊙ Contact Configuration: 1NO1NC
- ⊙ Operation Type(■): Momentary / Latching(Z)
- ⊙ The Crust Material(⊙): Stainless steel(S) Anodized(A)
- ⊙ IP Degree: IP65(IP67 made to order),IK10



Anti-vandal push button



- ⊙ Φ 25mm Diameter
- ⊙ Switch Rating: Ith:5A, Ui:250V
- ⊙ Contact Configuration(□): 1NO1NC(11) 2NO2NC(22)
- ⊙ Operation Type(■): Momentary / Latching(Z)
- ⊙ The Crust Material(⊙): Stainless steel(S) Anodized(A)
- ⊙ IP Degree: IP65(IP67 made to order),IK10



The Front Shape	Flat Round	Flat Round	
Terminal Type	Pin Terminal(2.8×0.5mm)	Pin Terminal(2.8×0.5mm)	
Switching	Za(double-break fast-motion changeover contact)	Za(double-break fast-motion changeover contact)	
Max. Switch Rating	Ith:5A Ui:250V	Ith:5A Ui:250V	
Contact Resistance	≤50mΩ	≤50mΩ	
Insulation Resistance	≥1000MΩ	≥1000MΩ	
Dielectric Intensity	2000VAC	2000VAC	
Operating Temp	-20℃ ~ +55℃	-20℃ ~ +55℃	
Mechanical Life	1,000,000 cycles	1,000,000 cycles	
Electrical Life	50,000 cycles	50,000 cycles	
Panel Thickness	1 ~ 6mm	1 ~ 6mm	
Torque	5 ~ 14Nm	5 ~ 14Nm	
Operation Pressure	5.5~8N	About 5.5N	
Operation Travel	About 3.1mm	About 2.5mm	
IP Degree	IP67,IK09	IP65(IP67 Made to order),IK10	
Material	Contact	Silver Alloy	Silver Alloy
	Button	Stainless Steel	Stainless Steel / Aluminum alloy(Black)
	Body	Stainless Steel	Stainless Steel / Aluminum alloy(Black)
	Base	PA	PA
	RoHS	Made to order	Made to order